

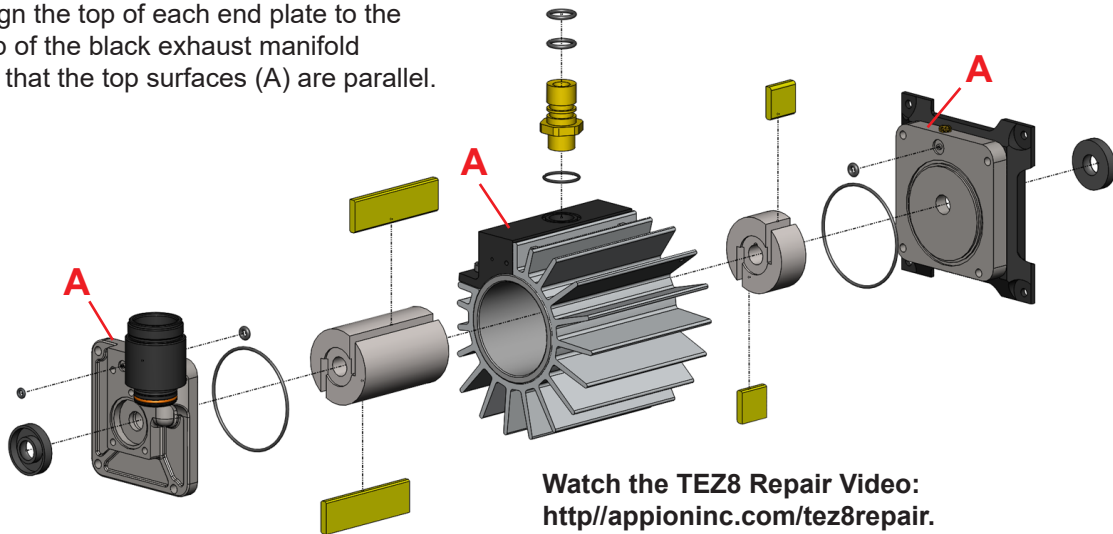
KTT881-R

TEZ8 Vacuum Pump Repair & Maintenance Kit

Keep chamber and rotor surfaces clean and free of debris.

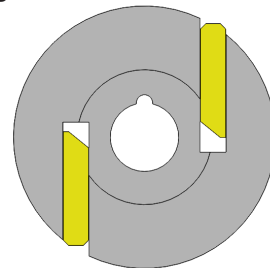
When completing reassembly, visually align the top of each end plate to the top of the black exhaust manifold so that the top surfaces (A) are parallel.

Note: Apply light amount of premium vacuum pump oil to each vane, o-ring, and rotor as you reassemble the pump.

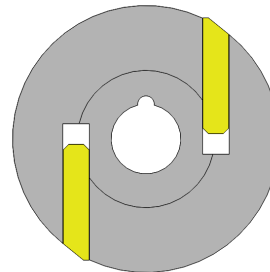


Watch the TEZ8 Repair Video:
<http://appioninc.com/tez8repair>.

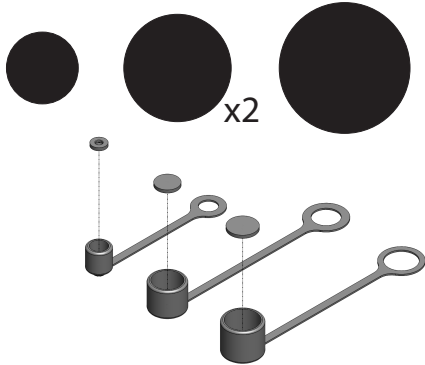
Large Rotor Vane Orientation



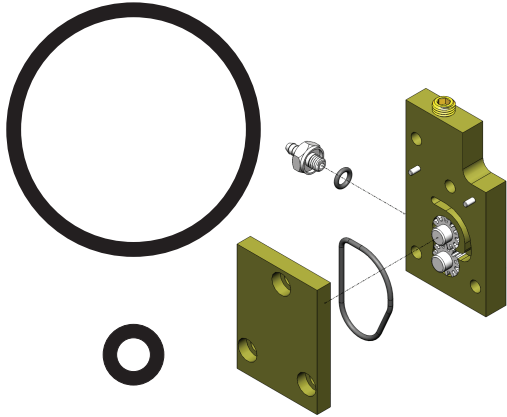
Small Rotor Vane Orientation



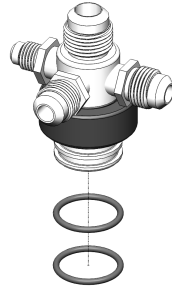
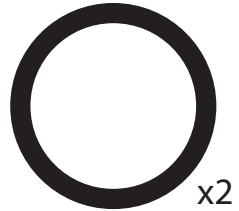
Flare Cap Seals



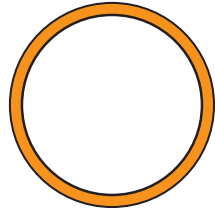
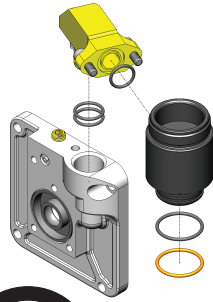
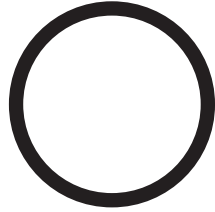
Oil Pump O-Ring



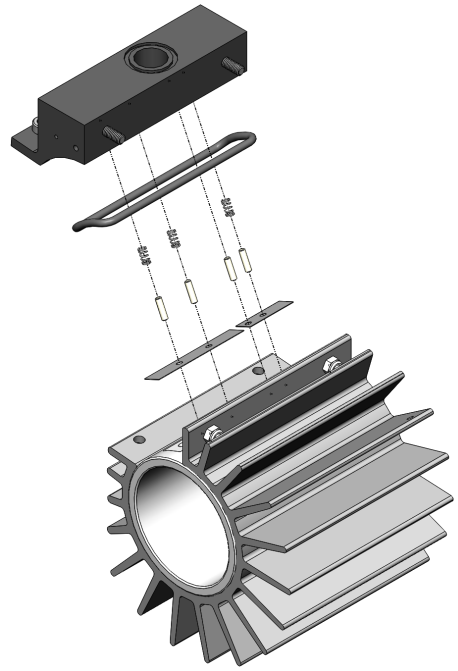
Input Stack O-Rings



Debris Tube O-Rings



Valve Chamber Assembly



For a video tutorial and more helpful videos visit:
www.YouTube.com/AppionTools