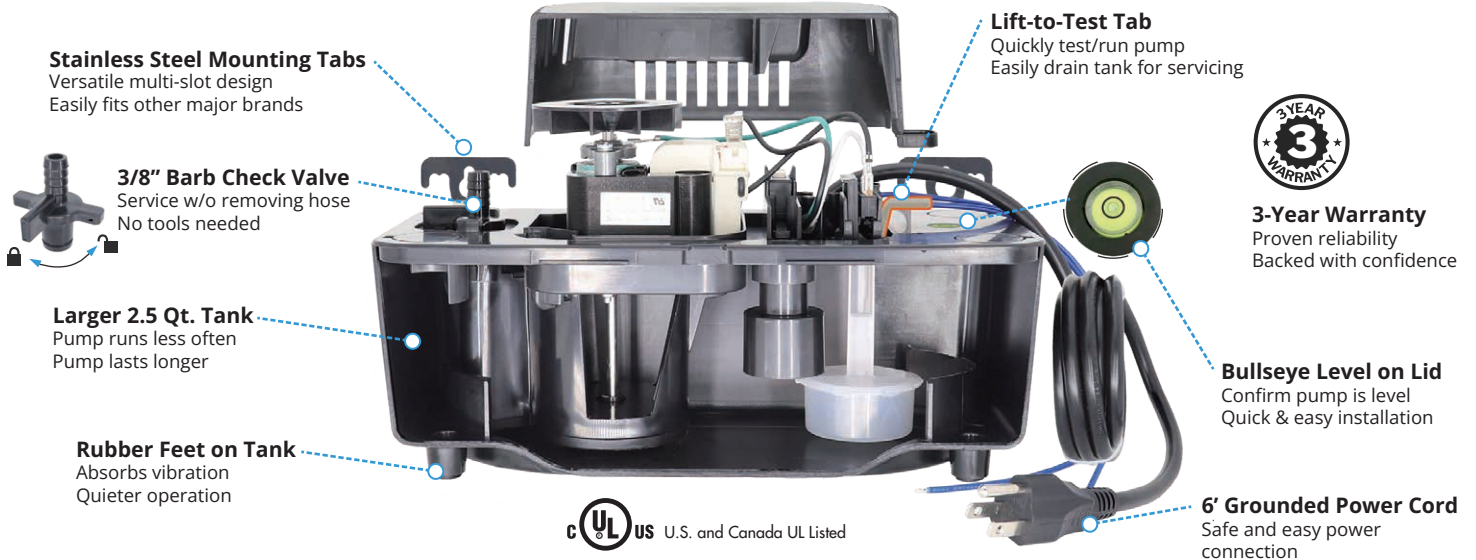


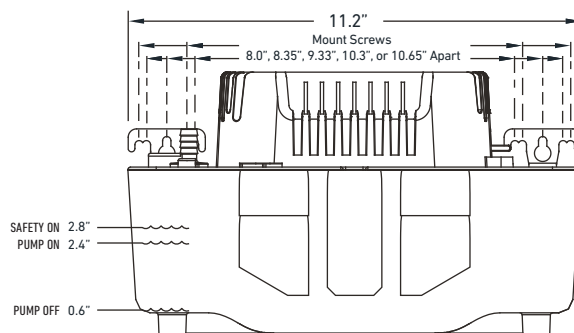
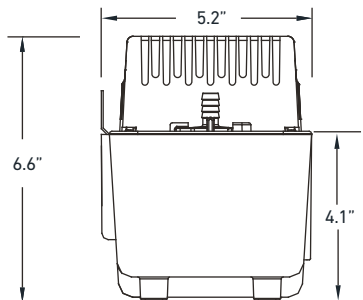
BK17 & 22 CONDENSATE PUMP



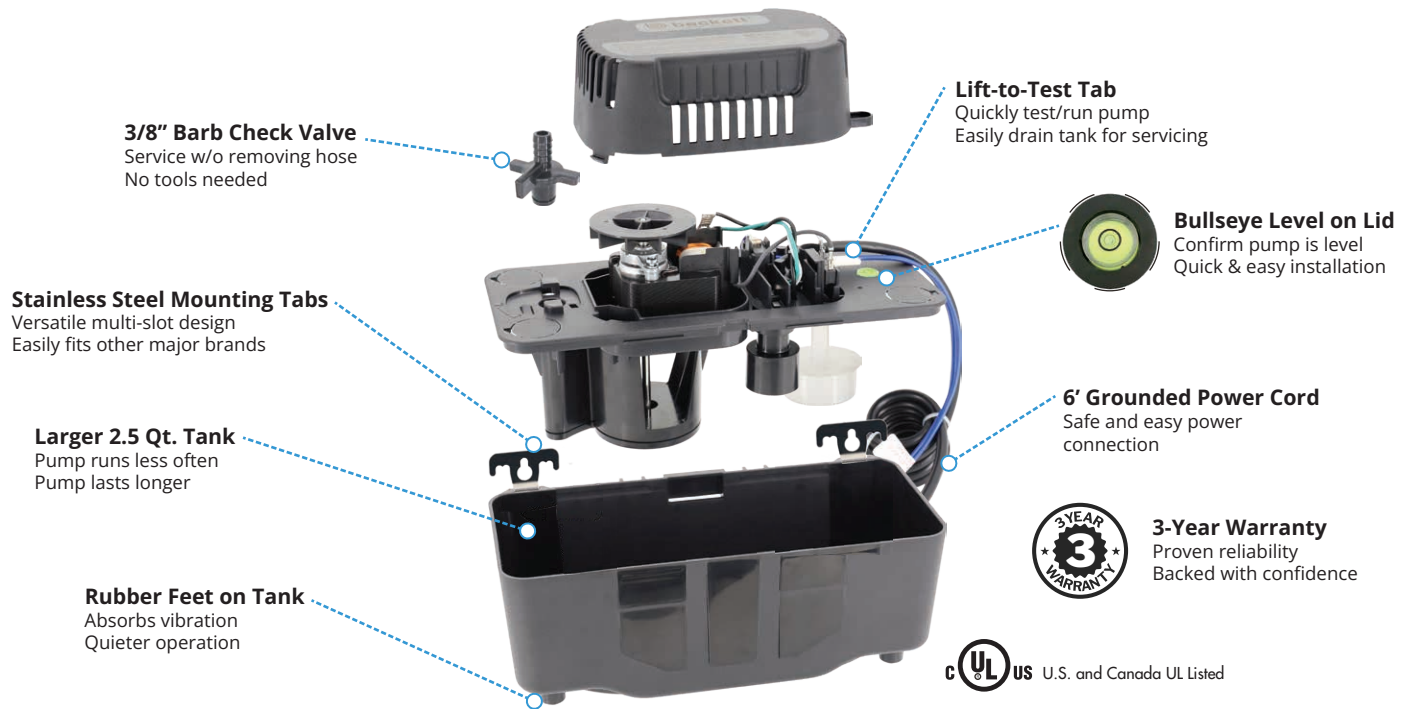
New design includes a thermally protected motor with a stainless steel motor shaft, sturdy ABS plastic construction, larger 2.5 quart collection tank that allows more water pumped per cycle, UL/cUL listed in U.S./Canada, and a 3 year manufacturer warranty. Rated for condensate water up to 150° F. Automatic start/stop operation. Includes durable stainless steel multi-slot mounting brackets, lid mounted bullseye level to confirm the pump is installed level, lift-to-test tab used to quickly test/run the pump, and a twist-to-lock 3/8" check valve (no tools required). Pump is capable of handling acidic condensate produced high-efficiency condensing furnaces and tankless water heaters.

Model	Notes	Volts/Hz	Amps/Watts	Weight	Flow (GPH)@			Max Lift	Outlet	Inlet
					1'	10'	15'			
BK171LSUL	w/o Safety Switch	115/60	1.1/60	3.6 lbs	112	64	19	17'	3/8" Barb	4 x 1.1"
BK171TUL	w/ Safety Switch & Tubing	115/60	1.1/60	4.8 lbs	112	64	19	17'	3/8" Barb	4 x 1.1"
BK171UL	w/ Safety Switch	115/60	1.1/60	3.7 lbs	112	64	19	17'	3/8" Barb	4 x 1.1"
BK221LSUL	w/o Safety Switch	115/60	1.2/65	3.6 lbs	125	83	50	22'	3/8" Barb	4 x 1.1"
BK221TUL	w/ Safety Switch & Tubing	115/60	1.2/65	4.8 lbs	125	83	50	22'	3/8" Barb	4 x 1.1"
BK221UL	w/ Safety Switch	115/60	1.2/65	3.7 lbs	125	83	50	22'	3/8" Barb	4 x 1.1"
BK222TUL	w/ Safety Switch & Tubing	230/50-60	0.9/77	5.4 lbs	156	105	72	22'	3/8" Barb	4 x 1.1"
BK222UL	w/ Safety Switch	230/50-60	0.9/77	4.3 lbs	156	105	72	22'	3/8" Barb	4 x 1.1"

Average Performance



BK17 & 22 CONDENSATE PUMP



New design includes a thermally protected motor with a stainless steel motor shaft, sturdy ABS plastic construction, larger 2.5 quart collection tank that allows more water pumped per cycle, UL/cUL listed in U.S./Canada, and a 3 year manufacturer warranty.

COMPETITIVE COMPARISON

Model	Warranty	Rated Water Temp (F)	Life	Performance			Run Time	Installation Aids			Sound Dampening	Easy Maintenance	L	W	H
				Motor/Pump Heat Rise* Temp (K)	GPH Flow @ 1'	Max lift (Ft)		Drink** (Oz)	Mounts	Bullseye Level					
BK171UL	3 yrs	150 °	74	112	17	45=Lower	Multi-Slot Stainless Steel Tabs	Y	Y	Y	Y	11.2"	5.2"	6.6"	
LGVCMA15	1 yr	140 °	87	65	15.2	23=Higher	Plastic tank tabs	N	N	N	N	11.0"	5.0"	7.0"	
DTCP16	2 yrs	140 °	87	104	15.7	20=Higher	Metal tabs	N	N	N	N	10.8"	4.5"	6.3"	
BK221UL	3 yrs	150 °	82	125	22	45=Lower	Multi-Slot Stainless Steel Tabs	Y	Y	Y	Y	11.2"	5.2"	6.6"	
LGVCMA20	1yr	140 °	84	80	20	22=Higher	Plastic tank tabs	N	N	N	N	11.0"	5.0"	7.0"	
DTCP22	2 yrs	140 °	107	92	22	35=Higher	Metal tabs	N	N	Y	N	11.5"	5.5"	6.3"	

*Performance per manufacturer published data

Average Performance

Heat Rise:** The measurement of how much the motor heats up from cold start to peak hot operation temperature. Higher heat reduces motor and bearing life. *Drink:** The amount of water between on/off switch level or the amount of water pumped out during each cycle. More water pumped out per cycle means the pump runs less and last longer.