

The iO HVAC Controls Wireless Relay is the perfect solution when you can't run wire or existing wires have been cut or damaged. The Wireless Relay communicates wirelessly up to 100' between two devices via a 915MHz radio frequency. The Wireless Relay Kit contains 2 four-channel transceivers. The base module has 3 transmitting channels and 1 receiving channel. The satellite module has 3 receiving channels and 1 transmitting channel. The relays can be used to turn on and off, control or monitor heating and cooling equipment, condensing units, fans, pumps, lighting, and industrial equipment.



Features and Benefits:

Can wirelessly control or monitor the following:

- Cooling equipment
- Heating equipment
- Condensing units
- Fans, pumps, lighting
- Industrial equipment
- Built-in signal strength indicator
- Satellite transceiver is equipped with weatherproof gasket so no separate enclosure needed to be outdoors

Warranty:

1 Year

Specifications: Base Module

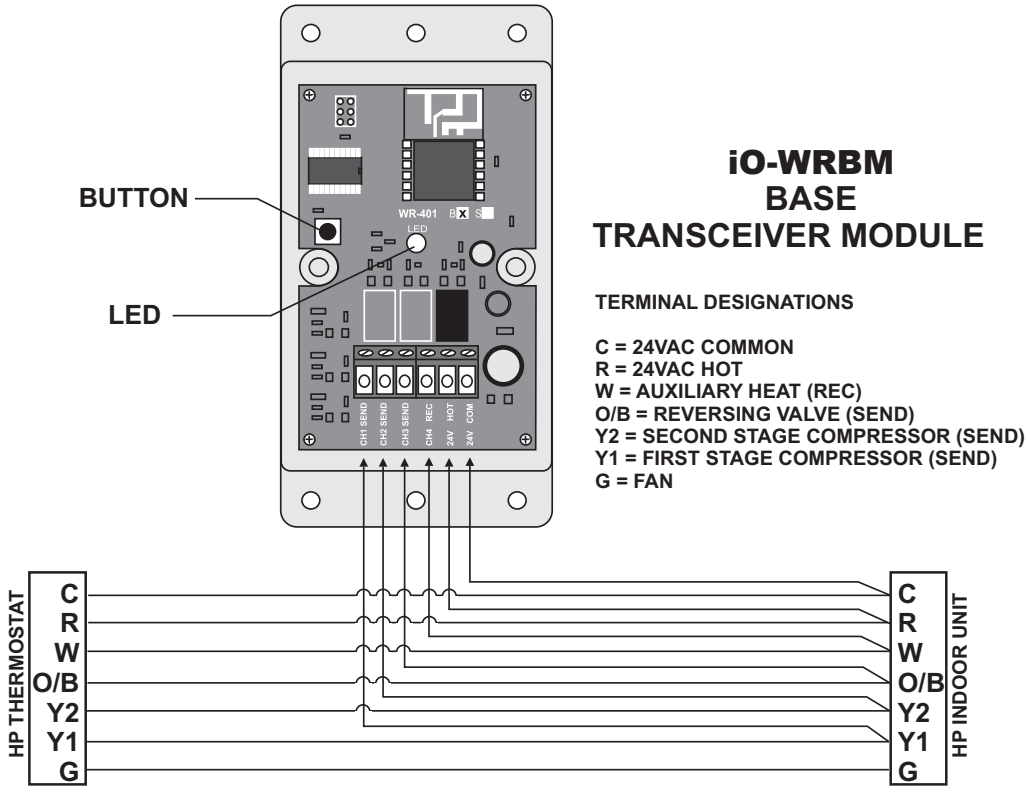
Dimensions	5.125" Height x 2.625" Width x 1.125" Depth
Input Voltage	24VAC
Channels	4 channels (3 send, 1 receive)
Contact Rating	1A per channel
Addresses	Unlimited kits can be installed in the same building
Frequency	915MHz proprietary protocol
Range	100' from satellite module depending on building type

Specifications: Satellite Module

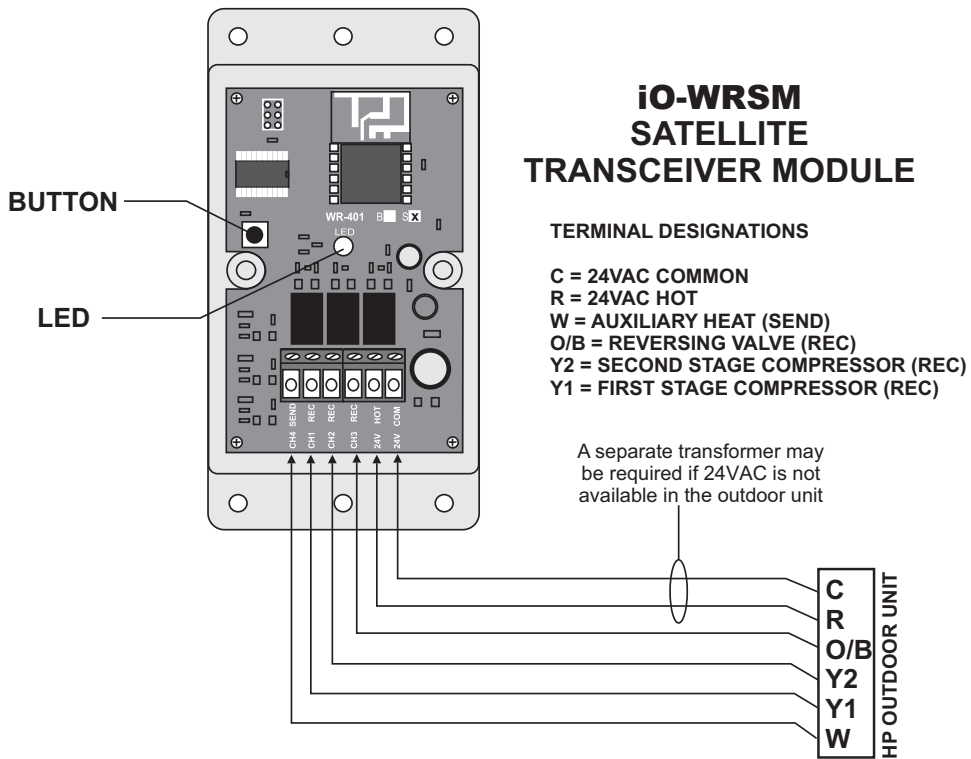
Dimensions	5.125" Height x 2.625" Width x 1.125" Depth
Input Voltage	24VAC
Channels	4 channels (1 send, 3 receive)
Contact Rating	1A per channel
Addresses	Unlimited kits can be installed in the same building
Frequency	915MHz proprietary protocol
Range	100' from base module depending on building type

WIRELESS RELAY DIAGRAM

TYPICAL WIRING FOR 3 HEAT / 2 COOL HEAT PUMP



TYPICAL WIRING FOR 3 HEAT / 2 COOL HEAT PUMP



5351 East Thompson Road Suite 142
Indianapolis, IN 46237
P: 888.359.0362
F: 317.489.5204

info@iOhvaccontrols.com
www.iOhvaccontrols.com