



FXP AIR VELOCITY SENSOR FXP SERIES

DESCRIPTION

The **FXP Series** probe is a differential air pressure device designed to measure air velocities in a duct. It includes multiple sensing points to measure total and static pressures. The **FXP Series** incorporates a unique design to amplify the differential pressure by approximately 2.5 times for accurate measurement of lower air velocities down to 200 fpm. It is easy to install and cost effective.

FEATURES

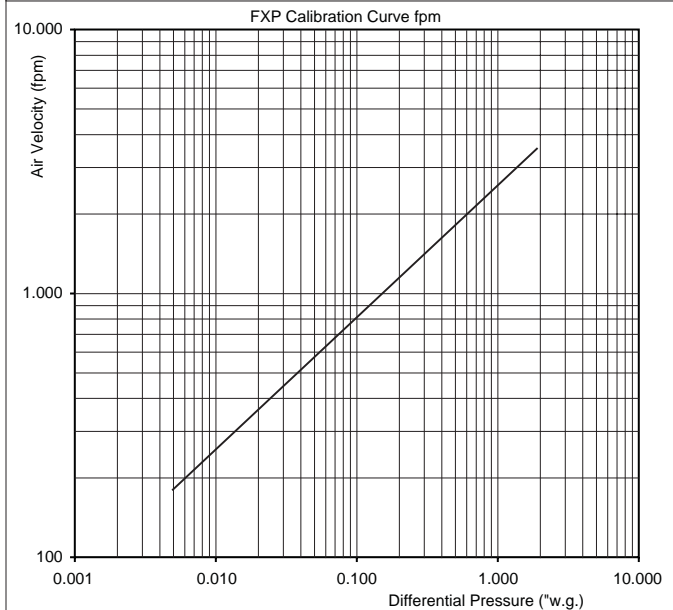
- *Multiple sensing points for greater accuracy*
- *Easy installation*
- *Chamfered sensing points for consistent readings*
- *2% accuracy*
- *2.5X signal amplification*
- *Accepts 1/4" OD tubing*

MOUNTING

- Check that the FXP is sized correctly for the duct in which it is being installed.
- The FXP is mounted in the duct through a 1" hole.
- Secure the opposite end with the provided threaded bolts.
- Check to make sure that the flow direction of the air in the duct corresponds with the arrow printed on the label of the FXP flow sensor probe.
- For round ducts, install the FXP diagonally so as to minimize the irregularities of the air flow patterns in the horizontal and vertical planes.
- For non-standard applications, please contact Kele.



PERFORMANCE WIRING



SIZING THE PRESSURE TRANSMITTER

To size a pressure transmitter for your application, use formula "B". The Kv value can be found in the calibration chart and the velocity must be known or closely approximated. To calculate the velocity use formula "A".

$$V = \text{FPM} = K_v \cdot \sqrt{\Delta P}$$

Formula A

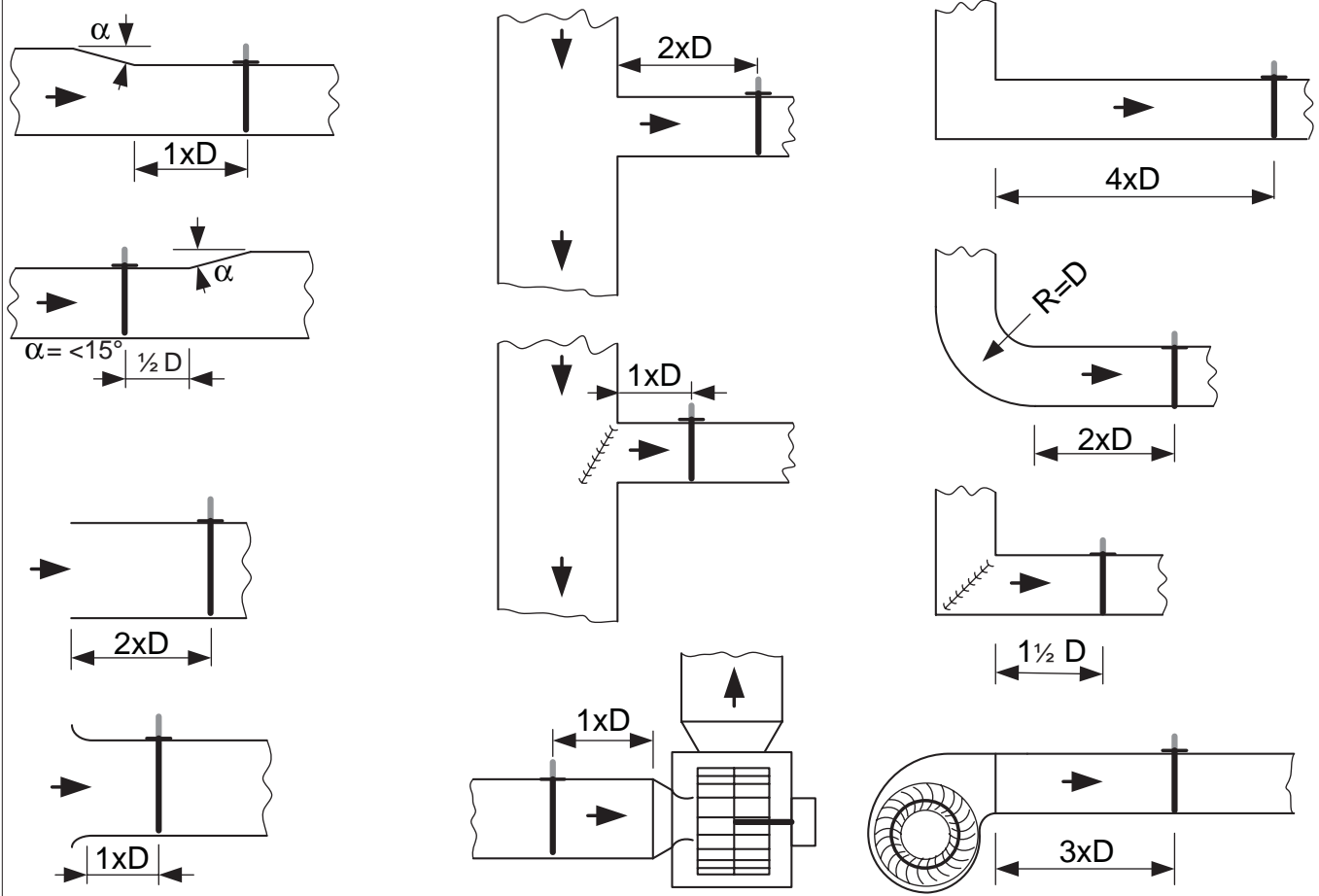
$$\Delta P = \text{"W.C."} = \left[\frac{V}{K_v} \right]^2$$

Formula B

CFM = VA
 CFM = cubic feet minute
 V = velocity (feet per minute)
 A = area (square feet)

FXP Calibration Chart					
Size	Kv	Size	Kv	Size	Kv
4"	2225	7"	2450	12"	2500
5"	2325	8"	2480	14"	2525
6"	2400	10"	2440	16"	2550
18" and up			2550		

MINIMUM STRAIGHT DUCT APPROACH



ORDERING INFORMATION

MODEL	DESCRIPTION
FXP	FXP air velocity sensor
	WIDTH
XX	Duct width (up to 48")

RELATED PRODUCTS

M30/40, T30/T40	Modus differential pressure transmitter
M264	Setra differential pressure transmitter
XLdp	Ashcroft differential pressure transmitter
T-101	1/4" O.D. pneumatic tubing