



# RecoverXLT<sup>®</sup> Oil-Less Universal Refrigerant Recovery System



## Operation and Maintenance Manual for 95760 and 95762

(For serial numbers 22120038 and higher)

English, Spanish, French and German manuals available at:  
<https://yellowjacket.com/product/recover-xlt/>

# Table of Contents

Page

General Safety Instructions.....	2-3
<b>Care and Maintenance</b>	
Auto Purge Instructions.....	3
Restart Procedure.....	3
Suction Filter.....	3
<b>RecoverXLT® Operating Guide</b>	
Direct Liquid/Vapor Recovery.....	4
Push-Pull Liquid Recovery.....	5
Recovery Tips & Techniques.....	6
Recovering R-410A High Pressure Gas.....	6
Troubleshooting Guide.....	7
Technical Data.....	7-8
RecoverXLT® Wiring Diagrams.....	8
Replacement Parts.....	9
Important Notice to Purchaser.....	10
Warranty Information.....	10

---

## General Safety Instructions

- 1) Know your equipment.** Read and understand the operation manual and the labels affixed to this unit. Learn the applications and limitations, as well as the specific potential hazards of the **RecoverXLT®**.
- 2) Use the correct hoses.** Use only hoses designed for handling of refrigerants. The hose should be the minimum length required for each job and equipped with a shut-off device (such as the compact ball valve) at the end to reduce the likelihood of refrigerant leaks to the atmosphere. For best performance we recommend using 3/8" hoses. **YELLOW JACKET® hoses are made for almost every type of refrigerant. See your local distributor for more information.**
- 3) Ground all equipment.** Plug the **RecoverXLT®** into a properly grounded receptacle using the appropriate plug.
- 4) If the power cord is damaged,** it must be replaced by a cord assembly available from the manufacturer or distributor where purchased.
- 6) Do not pressure test with compressed air.** Some mixtures of air and refrigerant have been shown to be combustible at elevated pressures.
- 7) Avoid dangerous environments.** To keep operator exposure to a minimum, use the **RecoverXLT®** only in areas with sufficient ventilation.  
  
Recovery should always be performed in well ventilated areas. Use the **RecoverXLT®** only in locations where mechanical ventilation which provides at least four air changes per hour is present, or place the unit 18" above the floor during use.  
  
The **RecoverXLT®** should not be used near open containers of gasoline or any other flammable liquid. Do not allow refrigerants to come in contact with open flame. Refrigerant decomposition in flame results in phosgene gas. Breathing phosgene gas can be fatal.
- 8) Always wear safety goggles and gloves.** Personal protective equipment should be worn to protect operator from frostbite.
- 9) Use caution when connecting or disconnecting.** Improper usage may result in refrigerant burns (frostbite). If a major leak occurs, proceed immediately to a well ventilated area.
- 10) Disconnect recovery machine from power before servicing.** An electrical shock hazard is present when the unit is disassembled.
- 11) Repair damaged parts.** Do not operate the **RecoverXLT®** if there is a defective part. Repair the unit to proper operating conditions before further use.
- 12) Use recommended accessories.** Follow the instructions that accompany all accessories. Improper use may damage equipment or create a hazard.

- 13) **Use the RecoverXLT® only with the proper refrigerants.** (See specifications for a complete list of compatible refrigerants.)
- 14) **Operate the RecoverXLT® within the design parameters only.** The RecoverXLT® was designed to operate within a temperature range of 40° F (4° C) to 120° F (49° C). Do not operate in a wet location.

**Caution:** All refrigerant hoses, recovery tanks, refrigerant lines, other vessels containing refrigerants and the RecoverXLT® should be handled as if under high pressure. When opening a tank containing refrigerant, open valves slowly to prevent release of refrigerant, especially if the valves might be damaged.

To prevent the risk of fire DO NOT use an extension cord longer than 25' (7.6 m) and a minimum of 16 AWG (1.276 mm<sup>2</sup>).

---

## Care and Maintenance

### Auto Purge Instructions

Purging or evacuating the RecoverXLT® is one of the simplest and most important functions. Reduce the risk of cross contamination and prolong the life of the RecoverXLT® by purging after *every* service.

**Note: The purge process must be done before disconnecting the discharge hose from the RecoverXLT®.**

- 1) The **Low Pressure Switch** will shut the unit off and the Status Indicator LED will illuminate SOLID RED indicating Recovery Complete when the unit reaches 10" Hg vacuum.

After the unit stops, rotate the selector valve clockwise to OFF to equalize then to PURGE. Start the unit using the momentary switch.

**Note: The low side gauge should read an increase in suction pressure, indicating the refrigerant that was trapped in the machine.**

- 2) Wait until the **Low Pressure Switch** again stops the unit at the appropriate vacuum.
- 3) Close the valve on the recovery tank and unplug the RecoverXLT® from power.

---

### Restart Procedure

If the recovery unit was stopped during operation, it may be necessary to balance the internal pressures before the unit will start.

To balance the internal pressure:

- 1) Rotate selector clockwise to the OFF position. Allow pressures to balance.

- 2) Start the recovery machine using the momentary switch
- 3) Turn the selector valve counter-clockwise to the previous RECOVER position.

---

### Suction Filter

The RecoverXLT® is equipped with a built-in particulate strainer located behind the suction port. Unscrew the suction port by using a 11/16 wrench to unscrew the hex head port to remove. This prevents contaminants, copper shavings, carbon, and other foreign objects from making their way to the RecoverXLT® compressor and causing permanent damage.

Like a filter drier, this strainer **MUST** be cleaned or replaced often. Failure to do this can cause the strainer to become too clogged for refrigerant to flow freely. A sure sign that the straining device is

clogged is the freezing of the suction port and the filter cover.

Before replacing, check the condition of the o-ring. Replace if necessary.

**Note: Make sure to use a strainer in the RecoverXLT® for every job!** Filter strainers and O-rings are available from your supplier.

Filter Strainer and O-Ring - Part #95457

# RecoverXLT<sup>®</sup> Operating Guide

## Direct Liquid/Vapor Recovery

The **RecoverXLT<sup>®</sup>** is used to pull liquid or vapor refrigerant directly out of the system and transfer it into a recovery cylinder.

Liquid recovery is accomplished by connecting to the high pressure system discharge service port (Liquid Port) side of the system being serviced.

Vapor recovery can be done by connecting to the system suction service port (low pressure) side of the system.

Because the **RecoverXLT<sup>®</sup>** is capable of recovering direct liquid, it is best to first recover all of the liquid, followed by the vapor. This will make your job easier and faster. Refer to the following instructions and the above diagram:

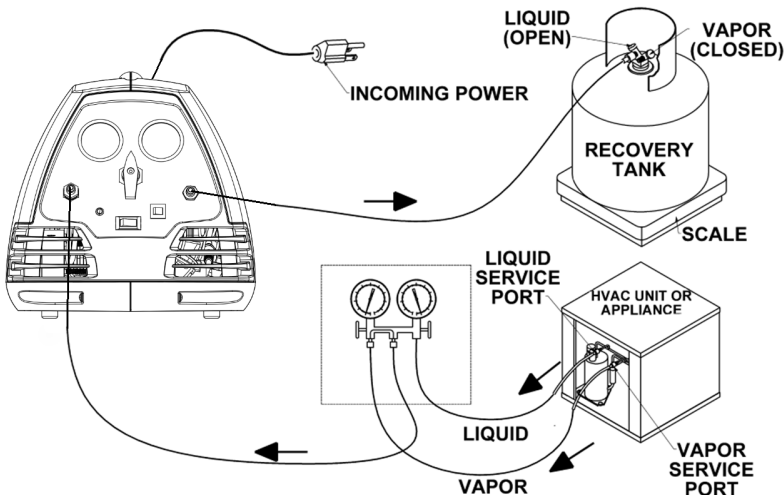
1. Know the type and quantity of refrigerant present before servicing any system.
2. Turn off power to the system being serviced. Turn the selector knob to off.
3. Connect your manifold to the system being serviced. High Side to liquid port and Low Side to vapor port as shown in diagram on page 4.
4. Connect the Utility port of your manifold to the 1/4" SUCTION port of the **RecoverXLT<sup>®</sup>**.
5. Connect one hose from the recovery cylinder (liquid side) to the 1/4" DISCHARGE port of the **RecoverXLT<sup>®</sup>**.

**Note:** Be sure to connect hose ends with shut-off to suction and discharge ports of recovery machine (for best performance use 3/8" hoses.)

6. Purge all hoses of non-condensables before recovering refrigerant into recovery cylinder.
7. Open the liquid valve on the recovery tank.
8. Start the **RecoverXLT<sup>®</sup>** using the momentary switch.
9. Turn the selector VALVE on the **RecoverXLT<sup>®</sup>** to either the LIQUID or VAPOR position.
10. Open the Utility and either High Side or Low Side valves on the manifold. Remember it is more efficient to recover the liquid refrigerant first. **Caution: do not over-pressure low side gauge.**
11. The **RecoverXLT<sup>®</sup>** will continue to recover until it reaches and sustains 10" Hg vacuum at which point the LOW PRESSURE SWITCH stops the unit and the Status Indicator LED illuminates SOLID RED indicating **Recovery Complete**.
12. Turn the selector valve clockwise to OFF. Start the unit using the momentary switch. Turn selector valve to PURGE position.
13. When the unit again stops and the Status Indicator LED illuminates SOLID RED indicating **Recovery Complete**, the recovery and purge cycles are complete.

**Note:** If the machine is not recovering, refer to the troubleshooting guide on page 7. Restart procedures are on the side of the machine and below.

## Liquid or Vapor Recovery Diagram



## Push-Pull Liquid Recovery

The **Push-Pull Liquid Recovery** mode is used for transferring large volumes of liquid refrigerant. The **RecoverXLT**<sup>®</sup> “pulls” vapor from the recovery cylinder and produces high pressure discharge gas that “pushes” liquid out of the HVAC system and into the recovery cylinder. The auto purge feature makes the reconfiguration to vapor recovery easier and faster to do.

Some HVAC systems will not allow for the push-pull recovery method. If any of the following conditions apply, do not use push-pull method, but follow the instructions page 4 for **RecoverXLT**<sup>®</sup>.

- System contains less than 10 pounds of refrigerant.
- System is a heat pump or other unit with a reversing valve.
- System has an accumulator between the service ports used in liquid recovery.
- The refrigerant system does not allow for the formation of a solid column of liquid.

For push-pull recovery, a sight glass is monitored during recovery. When liquid is no longer visible, stop recovery and finish recovering using the VAPOR recovery process for **RecoverXLT**<sup>®</sup> as described on page 4.

When push-pull recovery is complete, a small amount of refrigerant remains in the system. For complete recovery, the system must be pulled into a vacuum as required by EPA standards. This process requires the following equipment:

- 1) An extra hose for the push-pull recovery.
- 2) A recovery cylinder with about 5 lbs. of refrigerant.

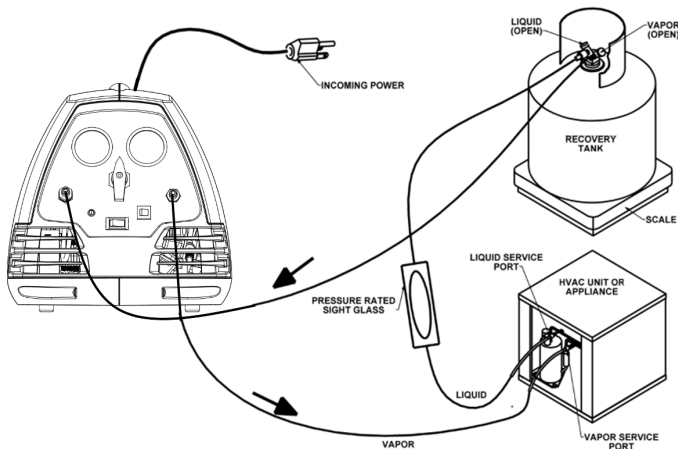
- 3) A sight glass (**Note: Make sure sight glass is rated for the pressure of the refrigerant being recovered**).

Follow these steps:

- 1) Turn off power to the system to be serviced.
- 2) Hook up the **RecoverXLT**<sup>®</sup>, the system to be recovered, and the recovery tank as shown in the diagram above.
- 3) **Purge all hoses** of non-condensables before recovering refrigerant into recovery cylinder.
- 4) Open valves on the recovery tank.
- 5) Turn the selector valve to VAPOR position.
- 6) Start the **RecoverXLT**<sup>®</sup> using the momentary switch.
- 7) Monitor the sight glass. When the passing liquid is no longer visible through the sight glass, the push-pull method of recovery is complete.
- 8) Close the VAPOR valve on the recovery tank and let the recovery continue.
- 9) Turn the selector valve clockwise to the PURGE position and follow procedures for purging the **RecoverXLT**<sup>®</sup>.
- 10) Close LIQUID valve on recovery tank.
- 11) Reconnect the hoses per the procedure for the **RecoverXLT**<sup>®</sup> vapor recovery instructions.
- 12) Rotate the selector valve to the VAPOR position.
- 13) Continue recovery until the unit stops or reaches the appropriate level of vacuum.

**Note: See page 4 for a detailed set of instructions on Vapor Recovery.**

## Push-Pull Recovery Diagram



# RECOVERY TIPS AND TECHNIQUES

- 1) To assure the fastest and quickest recovery possible, use the shortest hoses possible and avoid hoses with Schrader depressors.
- 2) Know what kind and the amount of refrigerant that is going to be recovered. This is critical to avoid contamination and know how much refrigerant will be recovered. The first job of the day usually means a fresh, empty tank and no cause for worry about over-filling. However, the last job of the day means there is already liquid in the tank and over-filling can be a concern. Over-filling a recovery cylinder can have disastrous results.
- 3) Refrigerant responds to heat. Therefore, a significant increase in the speed of the recovery process will be obtained if a heat gun is used, specifically to any spots where liquid may have accumulated.
- 4) Always try to recover liquid first. This is the preferred method of recovery for the **RecoverXLT®**, which pumps liquid 5 to 7 times faster in standard liquid mode than vapor.
- 5) If recovering large amounts of refrigerant (20 lbs or more), the push-pull method is recommended. (**Note: This process requires the hoses to be switched before recovery of the remaining vapor.**)
- 6) Recovery can often be speeded up by simultaneous recovery from both the high and low side of the system. Attach short hoses to both the high and low side of the system and join them with a BRUTE II® Manifold or Y connector to the hose going to the Suction Port of the **RecoverXLT®**.
- 7) Protect the **RecoverXLT®** by keeping the built-in suction filter IN THE MACHINE. Failure to use the suction filter in the **RecoverXLT®** will void the warranty.
- 8) Recovery machines are not vacuum pumps. For proper evacuation, use a YELLOW JACKET® SuperEvac® vacuum pump. To speed up the evacuation process, use the SuperEvac™ vacuum pump and a core removal tool (Part #18975). For more information contact your YELLOW JACKET® wholesaler.

---

## Recovering R-410A High Pressure Gas

**IMPORTANT!!!** Some equipment should not be used with this refrigerant. Take time to read the safety instructions that came with the device you are servicing as well as any material that came with your refrigerant.

**WARNING!!! USE ONLY D.O.T. RECOVERY CYLINDERS APPROVED FOR R-410A.**  
*Overfilling the tank may cause it to rupture!*

The **RecoverXLT®** will recover R-410A provided the following instructions are followed:

- 1) Set-up for recovery as per diagram on page 4 for normal recovery or page 5 for push-pull recovery.
- 2) Follow the operating procedures for your model.

- 3) Continue recovery until the **Low Pressure Switch** has shut the unit off and lamp indicates **Recovery Complete**.
- 4) Purge the machine (see page 3 for more details).

**Technical Support: Call 800-769-8370 for additional information.**

# Troubleshooting Guide

Condition	Possible Problem	Possible Solution
Unit will not turn ON	Unit not properly plugged in or no power at power source	Check power cord to ensure properly plugged into power source and IEC inlet
	Defective Power Switch or PCB	Replace defective electrical component
Recovery process is slow	Clogged Filter	Check INLET port filter, clean or replace
	Valve core on system being recovered not fully depressed	Check core depressor on connecting hoses
	Compressor seals are worn	Rebuild compressor, replace piston seal
Unit does not pull a vacuum	Loose hose connections on Inlet Side	Tighten hose connections
	Compressor seals are worn	Rebuild compressor, replace piston seal
	Hoses are not tight	Tighten hoses
	Leak in HVAC/R system	Find and repair leak in system
Unit running sluggish	Low voltage to unit	Check power supply
Unit runs but shuts off after short time	Restriction on discharge side tripping the high pressure switch	Check for restrictions
		1) Tank valves
		2) Schrader cores
		Selector valve in correct position
Vacuum switch won't reset	Switch needs to reset	Pressurize inlet port

RED LED Code	Fault Indicated	Possible Solution
2 Flashes	Optional Tank Overfill Sensor has been activated	Tank overfill sensor has activated, recovery tank is full and needs to be replaced.
		Tank overfill sensor cord not connected. Either connect to a recovery tank equipped with overfill sensor or install a shorting plug on the end of the Tank Overfill Sensor cord.
3 Flashes	High Pressure Switch has been activated	Pressure on the discharge of the unit exceeded 517 PSIG. Check to make sure all valves in the discharge pathway are open. Once corrected, the pressure switch will reset.
		Excessive pressure in recovery tank. Replace recovery tank.
4 Flashes	Motor Overload	Let cool down for 15 minutes and restart.
		Compressor Mechanism is jammed. Repair will be required to fix the compressor mechanism.
5 Flashes	Low Voltage Detected	Check to see if power source is in the range of the nameplate rating.
6 Flashes	High Voltage Detected	Check to see if power source is in the range of the nameplate rating.

**\*If the attached power cord is damaged (95215) it must be replaced by the manufacturer or its authorized service center in order to avoid hazard.**

## TECHNICAL DATA

**\*UL Certified Rates to ARI Standard 740-2016**

RecoverXLT <sup>®</sup>	R-12	R-134a	R-22	R-500	R-502	R-410A
<b>Vapor lbs./min</b>	.37	.37	.37	.37	.66	.42
<b>Liquid lbs./min</b>	1.98	1.98	1.98	1.98	2.65	1.68
<b>Push-Pull lbs./min</b>	12.81	12.81	12.81	12.81	12.9	11.6
<b>Vacuum Level</b>	15 inHg	15 inHg	15 inHg	15 inHg	15 inHg	15 inHg

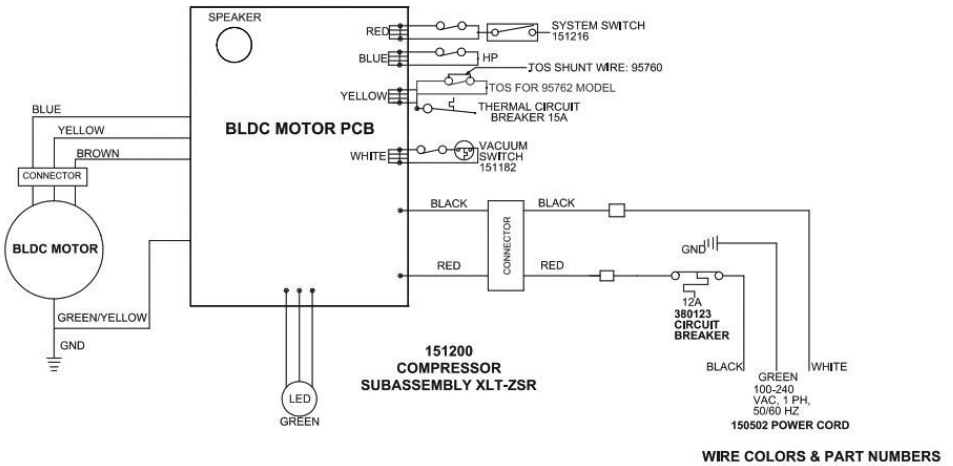
**Other Refrigerants** - The RecoverXLT<sup>®</sup> is approved for use with other refrigerants which have not been certified for a particular recovery rate including, but not limited to: R-1234YF, R-22, R-32, R-134a, R-401A, R-401B, R-402A, R-402B, R-404A, R-406A, R-407A, R-407B, R-407C, R-407D, R-408A, R-409A, R-410A, R-411A, R-411B R-454B, R-500 and R-502.

# Technical Data, cont.

Compressor:		1.25 HP 2 Cylinder Oil-less Reciprocating, Air Cooled
Power Source:		100-240VAC 1ph 50/60Hz
Amperage:		12.0 amps
Motor Type:		Variable Speed Brushless DC, 1200-3000 RPM
Size:	Height:	12.50"
	Width:	19.25"
	Depth:	12.50"
Weight:		26.7 lbs.

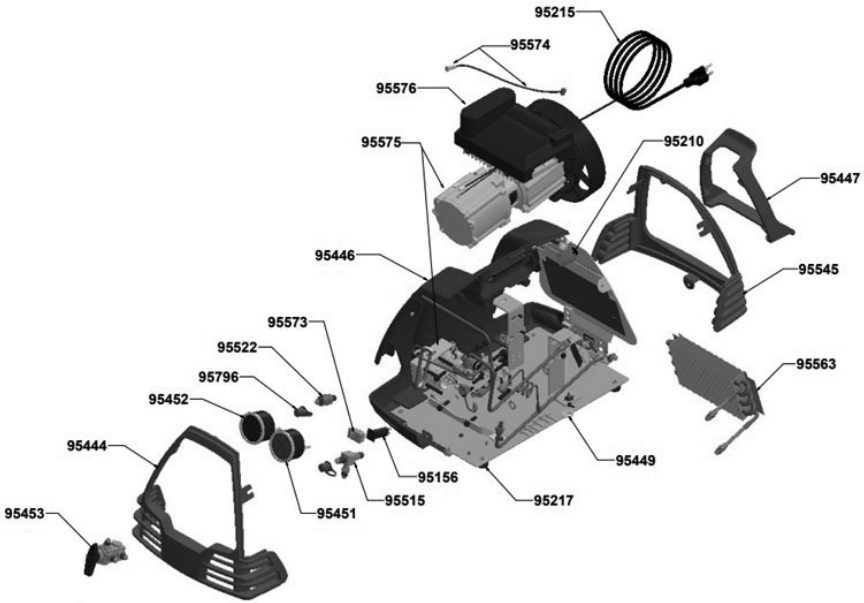
## Wiring Diagrams

95760 & 95762 Wiring Diagram





# REPLACEMENT PARTS



## RecoverXLT® Parts

Part #	Description	Part #	Description
95156	12A Breaker	95575	XLT Compressor ONLY
95210	Strain Relief	95215	Power Cord
95573	Momentary Rocker Switch	95451	Gauge High
95217	Rubber Feet	95452	Gauge Low
95444	Case Front	95453	Manifold Assembly
95445	Case Back	95515	Discharge Port
95446	Case Half	95522	Suction Port
95447	Cord Wrap	95563	Condenser Assembly
95449	Grommet	93394	Cap
95574	LED Housing w/Mounting Nut	95576	PCBA for XLT Compressor

## RecoverXLT® w/TOS Parts Only

Part #	Description
95248	Umbilical Cord Overfill Sensor
95188	Shorting Cap for Umbilical Cord

# IMPORTANT NOTICE TO PURCHASER

**Check for damage immediately.** Prior to shipment, all YELLOW JACKET® RecoverXLT® Refrigerant Recovery Systems are completely tested and inspected to assure compliance with Ritchie Engineering factory specifications.

If the recovery system carton is damaged, check contents immediately. Note damage on shipper's Bill of Lading and have shipper sign statement. Notify carrier immediately of the damage to arrange inspection of the recovery system and packaging. The CARRIER ALONE is responsible for handling and settling your claim. Ritchie Engineering Company, Inc. will cooperate in

assessing damage if the recovery system is returned to the factory prepaid.

## Carton contents include:

- RecoverXLT® Refrigerant Recovery System
- Owner's manual

**To validate warranty, mail registration card within 10 days.**

---

## WARRANTY INFORMATION

Ritchie Engineering Company, Inc. guarantees YELLOW JACKET® products to be free of defective material and workmanship which could affect the life of the product when used for the purpose for which it was designed. Warranty does not cover items that have been altered, abused or returned solely in need of field service maintenance.

YELLOW JACKET® recovery products (UPC 957xx) are covered by a one year warranty for parts and labor. The 115V recovery products (UPC 95760 and 95762) have an extended three year compressor warranty. The warranty also allows for a one year over-the-counter exchange, when applicable. To receive this over-the-counter exchange, call Ritchie Engineering Customer Service at (800) 769-8370 and get the required authorization number. Failure to get the required authorization number could result in a denial of the over-the-counter exchange.

The following exceptions will not be covered under this warranty: Recovery products that have been altered, misused, or improperly maintained.

## The following must be done before returning unit:

- 1) Call our technical service personnel at (800) 769-8370 to assess if the problem can be resolved over the phone.
- 2) Obtain an SRO number from Ritchie Engineering Company, Inc. for the return of the product.
- 3) Fax a copy of the original invoice to (800) 322-8684.

---

**Note: All units must be shipped to the Bloomington, MN plant for repair.** If at any time after the warranty period you have problems with your YELLOW JACKET® recovery unit, call

our technical service department for help in selecting the correct replacement parts, or to arrange for its repair at reasonable costs.



YELLOW JACKET® Products Division  
Ritchie Engineering Co., Inc.  
10950 Hampshire Avenue South  
Bloomington, MN 55438  
e-mail: [custserv@yellowjacket.com](mailto:custserv@yellowjacket.com)  
[www.yellowjacket.com](http://www.yellowjacket.com)  
Phone: 800-769-8370  
Int'l Phone: 952-943-1333  
Fax: 800-322-8684  
Int'l Fax: 952-943-1605